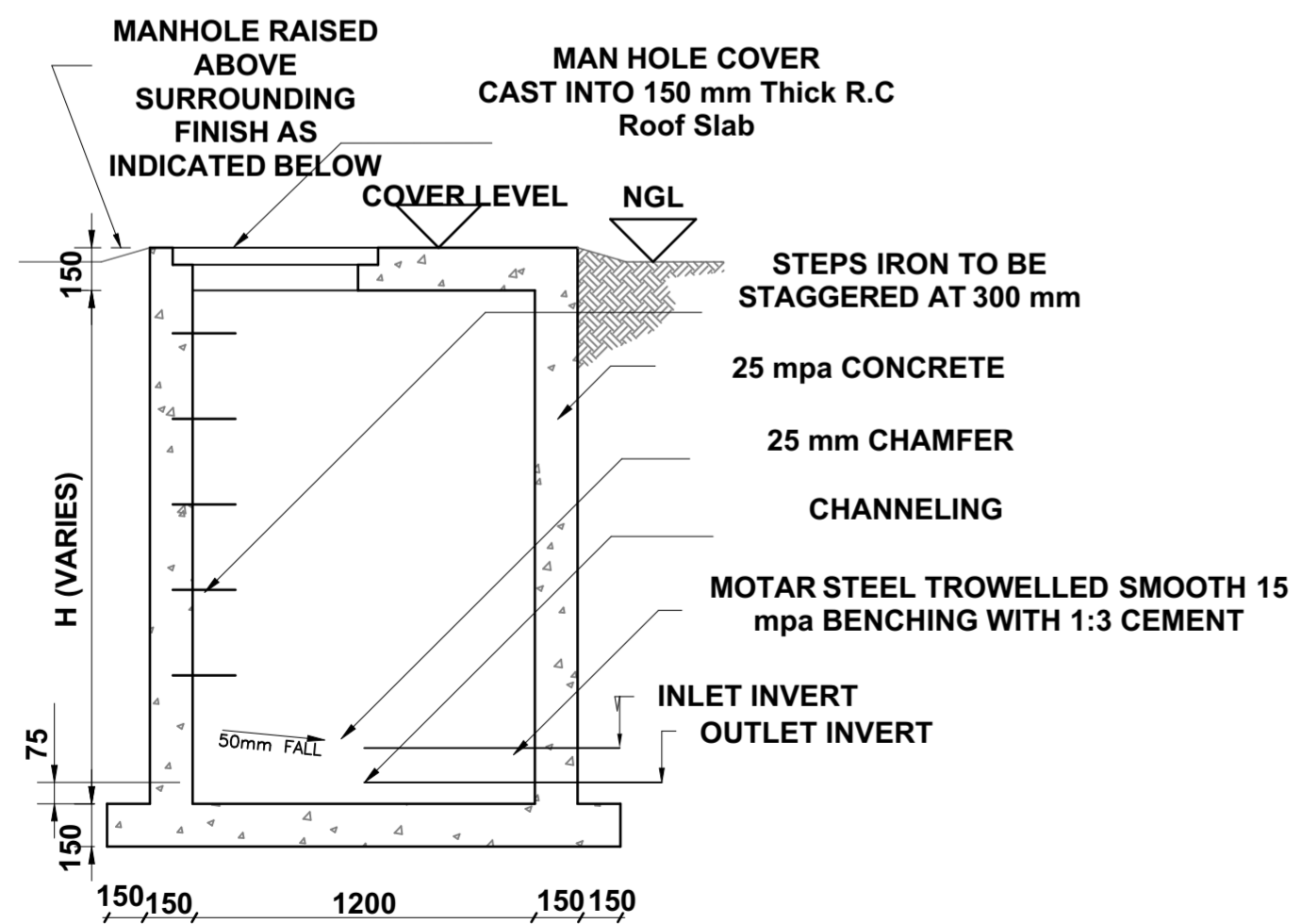
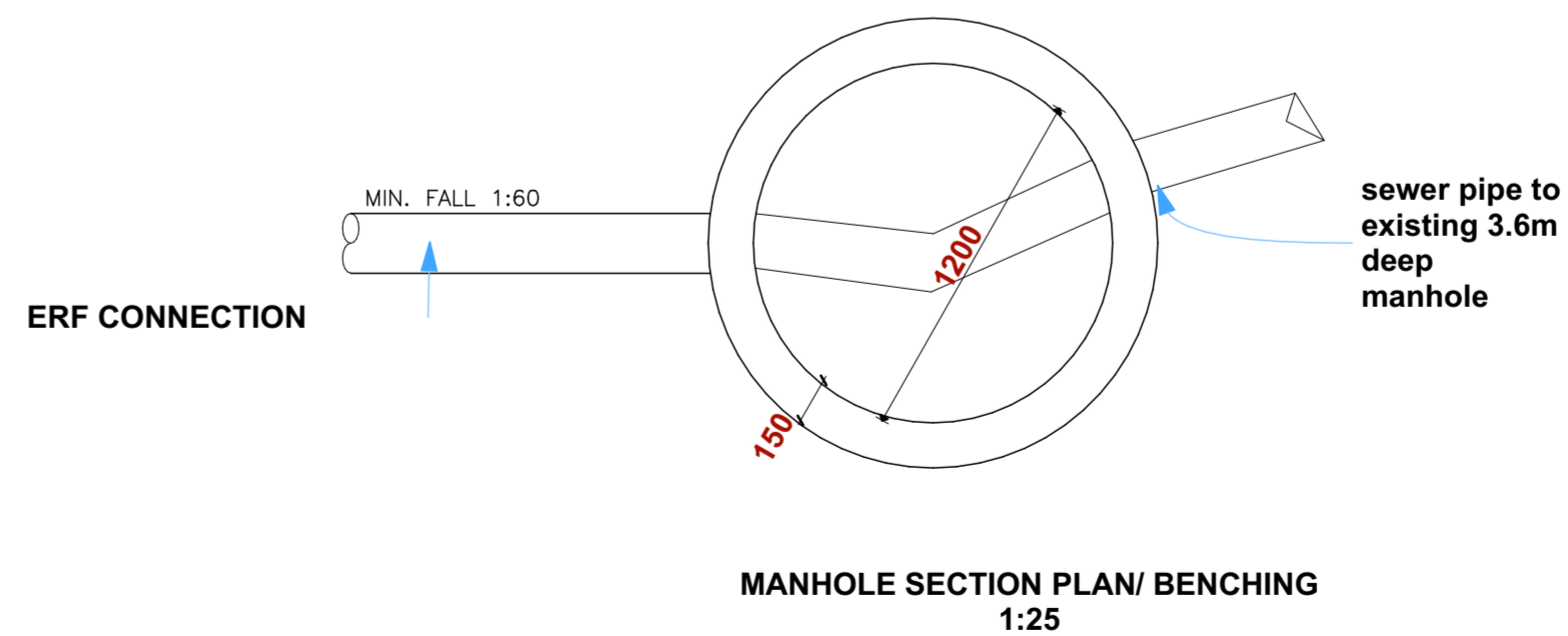




**SITE LOCATION  
NOT TO SCALE**



**SECTION**



**GENERAL NOTES**  
 ALL DIMENSIONS TO BE VERIFIED PRIOR TO ANY CONSTRUCTION WORKS.  
 ALL BUILDING WORK TO COMPLY TO NATIONAL BUILDING REGULATIONS AND LOCAL BY LAWS  
 ONCRETE USING 19MM AGGREGATE,  
 CONCRETE MIXES: BUILDING 15MPa,  
 FOUNDATIONS 25MPa WITH 50mm CONCRETE COVER AND SURFACE BED 25MPa  
 AND A CONCRETE COVER 50mm. PLASTER INTERNAL SMOOTH FINISH 13 MM THICK AND EXTERNAL WALL WOOD FLOAT FINISH 13 MM THICK.  
 BRICKS IN FOUNDATIONS TO BE 14MPa WITH BRICK FORCE EVERY LAYER.  
 BRICKS IN STRUCTURE TO BE 7MPa WITH BRICK FORCE EVERY THIRD LAYER.  
 BRICKS ABOVE LINTOLS TO HAVE BRICK FORCE EVERY LAYER FOR FOUR COURSES.  
 CONSTRUCTION JOINTS IN BRICKWORK UNDER ALL WINDOWS.  
 ROOF - CORRUGATED IRON ROOF SHEET , CEILING RHINO BOARD, WITH 38X38 MM GALVANISED STEEL BRANDERING @ 400 WITH CORNICE STRIP ALL AROUND



**CONSTRUCTION OF NEW SEWER CONNECTION LINES (13 TH AND 17 TH AVENUE) IN ORANJEMUND**